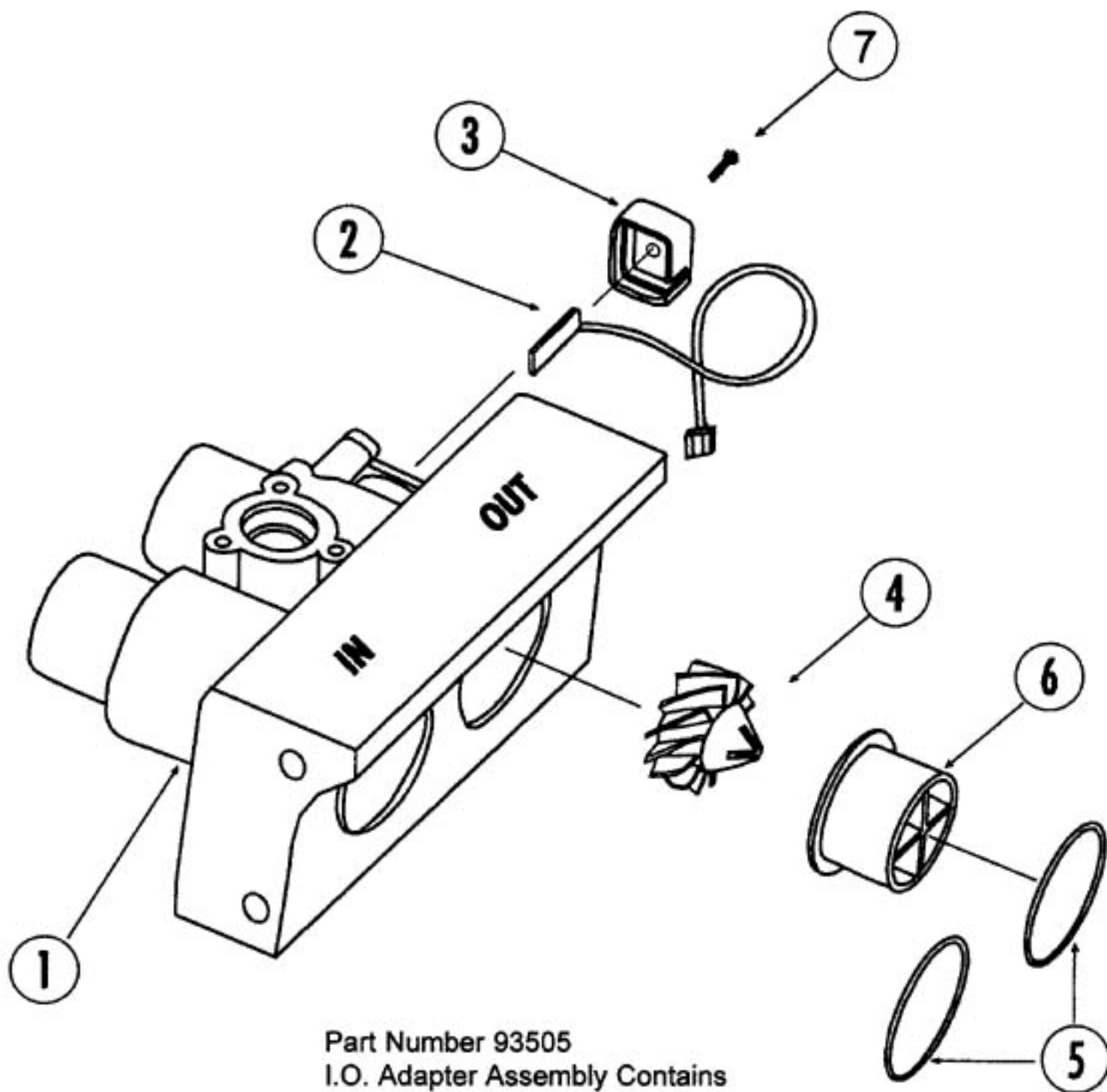


## I/O Adaptor Assembly

- |   |       |                           |
|---|-------|---------------------------|
| 1 | 93532 | IO Adapter Sub-Assembly   |
| 2 | 93860 | Turbine Sensor Assembly   |
| 3 | 90232 | Turbine Sensor Cap        |
| 4 | 90522 | Turbine Assembly          |
| 5 | 93838 | "O" Ring                  |
| 6 | 93229 | Flow Director             |
| 7 | 90809 | Sensor Cap Screw          |
|   | 93505 | IO Adapter Assembly (1-7) |



Part Number 93505  
I.O. Adapter Assembly Contains  
All Of The Above Parts.